





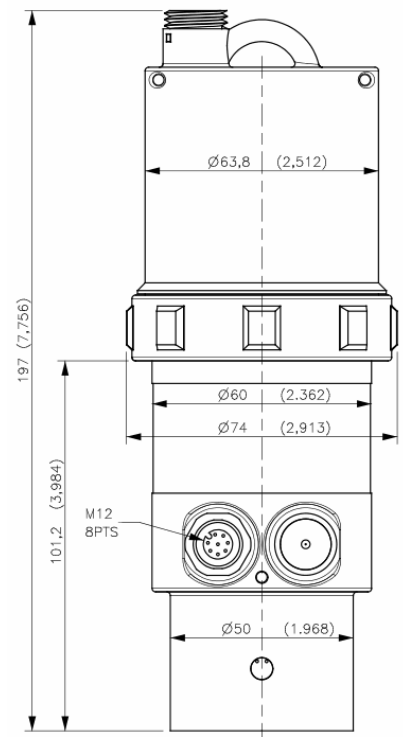
LNU06V4 - Battery powered level sensors & Wireless communications



- Wireless setting and data download by radio (Wiji protocol) on-site
- Lithium battery powered, ultra low-power consumption
- Memory : 500 000 data
- Communication : locally by radio + optional communication card to choose from :
2G/3G or 2G / LTE-M / NB-IoT
- Inputs : 1 external power supply (5Vcc...30Vcc), 2 Contacts 100Hz, 1 Modbus
- Outputs : 1 power supply (internal battery or switch), 1 open drain, 1 Modbus
- Enclosure rating IP68 (1 bar / 30 days)
- Conversion tables and formulas (water height, Flow, volume)

The LNU06V4 is one of our level sensors, particularly suitable for liquid measurement in harsh environment. It integrates a logger, a long-life battery and communication options making it fully autonomous. Easy to use and install, the setting is done safely by radio without need of activation.

Features	LNU06V4-82-3G (868 MHz) LNU06V4-82-LTE (915 MHz)
Measuring range	0,3 ... 6m
Resolution	1000 samples available for the whole range 2mm : max range 2,0m 4mm : max range 3,0m 7mm : max range 6,0m
Accuracy	± 0,2% of measuring range
Communication	Radio HF (868 MHz or 915 MHz) options : 2G/3G or 2G / LTE-M / NB-IoT
Radio range	100m in open field
Temperature compensation	Yes
Datalogger	500 000 Measures
Radio access point	Yes
Radio / cellular antenna	Internal or external radio antenna, external cellular antenna Please see the configuration table next page
Operating temperature	-40 ... 85°C
Logger Housing / Weight	PA12 / 520g
Enclosure rating	IP68 : 1 month under 1 bar (only when an Ijinus mounting kit is used PN : HOT00053 or HOT00060)
Energy	Lithium Battery : 3,6V 34Ah
Configuration	AVELOUR software part of the programming kit: MOC00001
Technology	Acoustic imaging / eKo® algorithm / LAMY® filtration
Certifications Atex zone 2	 II 3G Ex ic ec IIB T4 Gc Tamb : -20°C...60°C
Certifications	 : SE6A002-A0102 - IC : 10983A-A002-A0102





Technical specifications :

Configuration of options

Code	
LNU	Level logger by acoustic imaging
06V4	Measuring range 0.3 ... 6m

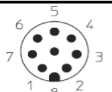
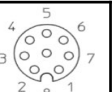
Code	Frequencies
8	868Mhz Europe - China
9	915MHz USA - Canada - Australia

Code	Antenna
0	Internal radio
1	External radio
2	Internal radio / external cellular
3	External radio / external cellular

Code	Communication options
Empty	Radio communication on-site
3G	Radio communication + 2G/3G
LTE	Radio communication + 2G / LTE-M / NB-IOT

LNU06V4 8 2 LTE

= LNU06V4-82-LTE

Wiring :				Male connector: 					Female connector: 	
Cable color	White	Brown	Green	Yellow	Grey	Pink	Blue	Red		
Connector 8Pts	1	2	3	4	5	6	7	8		
Name	Vin	GND	Vout	Modbus	Modbus	Input	Input	Output		
Features	(5V...30V)	Ground	5...18V (internal battery) OR Vout = Vin	RS485 H	RS485 L	Contact input 1 OR Pulse counter 100 Hz	Contact input 2 OR Pulse counter 100 Hz	Contact Ground		
Type	Power in		Power out			Digital	Digital	Open drain (1A/30V)		

Applications :	
<ul style="list-style-type: none"> • Water & Wastewater • CSO / SSO monitoring • Flow paced water sampling • Tank level monitoring 	<ul style="list-style-type: none"> • Tidal monitoring & early flood warning • Control and management of bin fill levels • Process monitoring • ...