



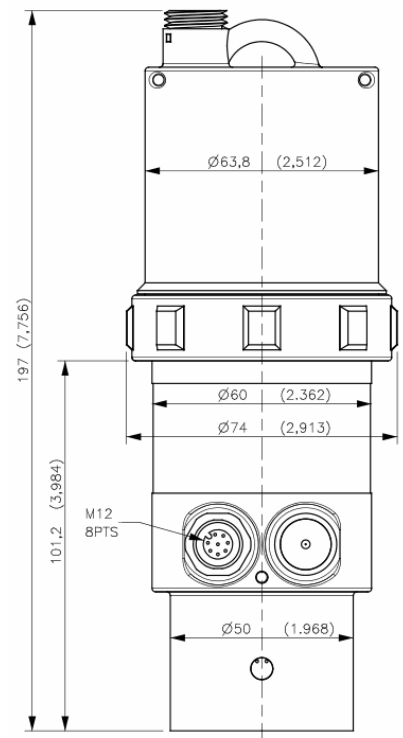
## LNU06V3 - Battery powered level sensors & Wireless communications



- Wireless setting with Rfid technology
- Lithium battery powered, ultra low-power consumption
- Communication : GSM / GPRS using 3G modem – Sigfox
- Inputs : 1 voltage (7Vcc...30Vcc), 2 Contacts 1Hz, 1 Modbus
- Outputs : 1 switch, 1 open drain, Modbus
- Memory : 500 000 data
- Enclosure rating IP68 (1bar/30 days)
- Integratable conversion tables and formulas (water height, Flow, volume)

The LNU06V3 is one of our new versions of level sensors, particularly suitable for liquid measurement in harsh environment. It integrates a logger, a long-life battery and communication options making it fully autonomous. Easy to use and install, the configuration is done safely by radio without need of activation.

<b>Features</b>	<b>LNU06V3-82-3G (868 MHz)</b> <b>LNU06V3-92-3G (915 MHz)</b>
<b>Measuring range</b>	0,3 ... 6m
<b>Resolution</b>	1000 samples available for the whole range 2mm : max range 2,0m 4mm : max range 3,0m 7mm : max range 6,0m
<b>Accuracy</b>	± 0,2% of measuring range
<b>Communication</b>	Radio HF (868 or 915 MHz) Wiji® protocol GSM / GPRS with 3G modem
<b>Radio range</b>	100m in open field
<b>Temperature compensation</b>	Yes
<b>Datalogger</b>	500 000 Measures
<b>Radio access point</b>	Yes
<b>HF / GSM 3G antenna</b>	Internal ¼ Wavelength / External Quad band
<b>Operating temperature</b>	-40 ... 85°C
<b>Logger Housing / Weight</b>	PA12 / 520g
<b>Enclosure rating</b>	IP68 : 1 month under 1 bar (only when an Ijinus mounting kit is used PN : HOT00053 or HOT00060)
<b>Energy</b>	Lith Bat : 3,6V 34Ah (managed by coulometer-type component)
<b>Configuration</b>	AVELOUR software part of the programming kit: MOC00001
<b>Technology</b>	Acoustic imaging / eKo® algorithm / LAMY® filtration
<b>Certifications Atex zone 2</b>	II 3G Ex ic ec IIB T4 Gc Tamb : -20°C...60°C
<b>Certifications</b>	CE - FC : SE6A001 - IC : 10983A-A00





## Technical specifications :

### Configuration of options

Code	
<b>LNU</b>	<b>Level logger by acoustic imaging</b>
<b>06V3</b>	Measuring range 0.3 ... 6m

Code	Frequencies
<b>8</b>	868Mhz Europe - China
<b>9</b>	915MHz USA - Canada - Australia

Code	Antenna
<b>0</b>	Internal HF
<b>1</b>	External HF
<b>2</b>	Internal HF / External GSM / 3G / Sigfox
<b>3</b>	External HF and External GSM / 3G / Sigfox

Code	Communication options
<b>Empty</b>	HF local communication
<b>3G</b>	Communication 2G/3G
<b>SIG</b>	SIGFOX communication

LNU06V3 8 2 3G

= LNU06V3-82-3G

Wiring : Connector functions activation on demand				Male view		Female view		
Cable color	White	Brown	Green	Yellow	Grey	Pink	Blue	Red
Connector 8Pts	1	2	3	4	5	6	7	8
Name	Vin	GND	Vout	Modbus	Modbus	Input	Input	Output
Features	(7V...30V)	Ground	(7...30V) Vout = Vin	RS485 H	RS485 L	Switch Input 1	Switch Input 2	Contact Ground
Type	Power in		Switch			Contact	Contact	Open drain (1A/30V)

Applications :	
<ul style="list-style-type: none"> <li>• Water &amp; Wastewater</li> <li>• CSO / SSO monitoring</li> <li>• Flow paced water sampling</li> <li>• Tank level monitoring</li> </ul>	<ul style="list-style-type: none"> <li>• Tidal monitoring &amp; early flood warning</li> <li>• Control and management of bin fill levels</li> <li>• Process monitoring</li> <li>• ...</li> </ul>